

product description: the clamps are designed to attach steel pipes to the pad
 the clamps are also available for systems maintaining functionality during a fire (see catalogue Systems maintaining functionality during a fire)

material: steel

temperature resistance: -60 - +250 °C

classification according to EN 61386-25:12 for configuration S: 3456210

mechanical protection according to EN 50102: IK09

fire resistance system: P 90-R, E 90, PS 90

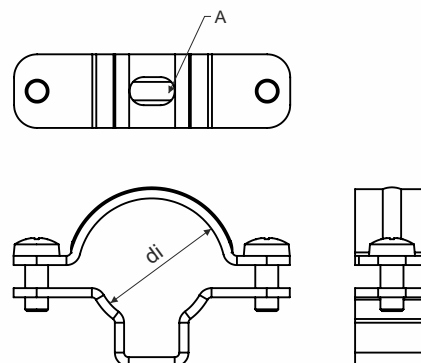
meets the requirements: EN 61386-1 ed.2:09, EN 61386-25:12, EN 50102, ČSN 73 0895, DIN 4102-12, STN 92 0205

storage: EN 60721-3-1



surface: S - Sendzimir galvanized, zinc layer 15 - 27 µm, replaces shop primer, medium corrosion resistance - group 2

item number	di (mm)	A (mm)	weight 1pc (kg)	package (pc)	for pipes
5216E ZNM_S	15-18	6,3x9,8	0,02	1 / 100	6016E..., 6216E...
5220 ZNM_S	19-23	6,3x9,8	0,03	1 / 100	6013..., 6213..., 6016..., 6216..., 6020..., 6220...
5225 ZNM_S	24-28	6,3x9,8	0,04	1 / 100	6021..., 6221..., 6025..., 6225...
5232 ZNM_S	30-40	6,3x9,8	0,04	1 / 50	6029..., 6229..., 6032..., 6232..., 6040..., 6240...
5250 ZNM_S	39-52	6,3x9,8	0,07	1 / 25	6036..., 6236..., 6050..., 6250...
5263 ZNM_S	53-63	6,3x9,8	0,08	1 / 25	6042..., 6242..., 6063..., 6263...



product description: the clamps are designed to attach steel pipes to the pad
 the clamps are also available for systems maintaining functionality during a fire (see catalogue Systems maintaining functionality during a fire)

material: steel

temperature resistance: -60 - +250 °C

classification according to EN 61386-25:12 for configuration F: 3456410

mechanical protection according to EN 50102: IK09

fire resistance system: P 90-R, E 90, PS 90

meets the requirements: EN 61386-1 ed.2:09, EN 61386-25:12, EN 50102, ČSN 73 0895, DIN 4102-12, STN 92 0205

storage: EN 60721-3-1



surface: F - hot-galvanized, průměrná vrstva zinku 45 µm (min. 35 µm), high corrosion resistance - group 4

item number	di (mm)	A (mm)	weight 1pc (kg)	package (pc)	for pipes
5216E ZN_F	15-19	6,4x10	0,02	1 / 50	6016E..., 6216E...
5220 ZN_F	19-24	6,4x10	0,03	1 / 50	6013..., 6213..., 6016..., 6216..., 6020..., 6220...
5225 ZN_F	24-29	6,4x10	0,04	1 / 50	6021..., 6221..., 6025..., 6225...
5232 ZN_F	29-38	6,4x10	0,05	1 / 25	6029..., 6229..., 6032..., 6232...
5240 ZN_F	38-47	6,4x10	0,06	1 / 20	6036..., 6236..., 6040..., 6240...
5250 ZN_F	47-55	6,4x10	0,07	1 / 20	6042..., 6242..., 6050..., 6250...
5263 ZN_F	55-63	6,4x10	0,08	1 / 20	6063..., 6263...